

## BF48ST

COOL-Pack / Power COOL-Pack  
Bottom Intake

**PRELIMINARY  
DRAWING ONLY** 

### EXAMPLE CONFIGURATION

MONTIGO COMMERCIAL FIREPLACES ARE CUSTOM BUILT FOR EACH PROJECT. THIS DRAWING IS FOR REFERENCE ONLY.

FLUE AND AIR INTAKE SIZES ARE SUBJECT TO CHANGE DEPENDING ON VENT RUN.

### UNLESS OTHERWISE SPECIFIED

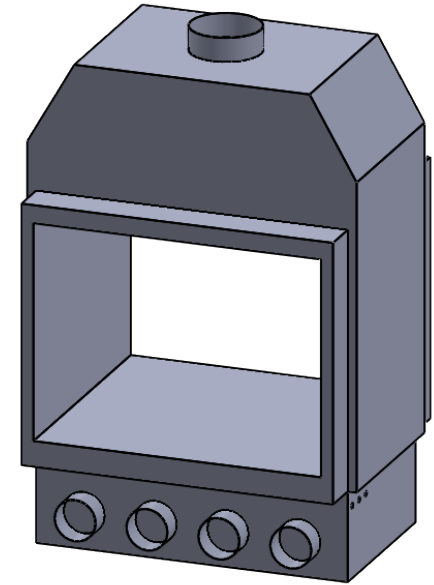
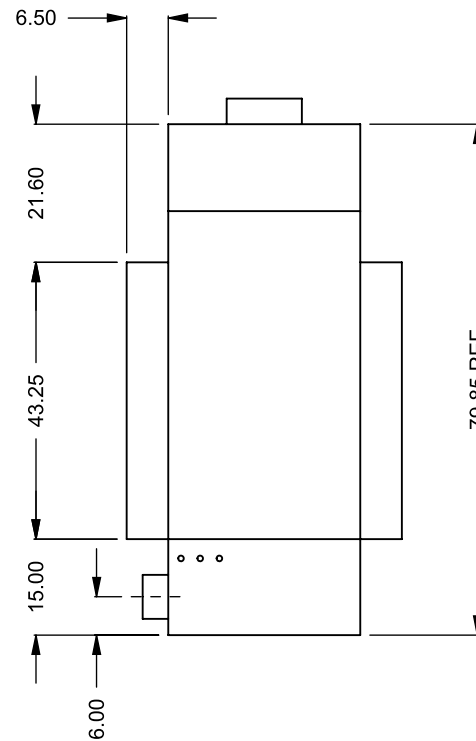
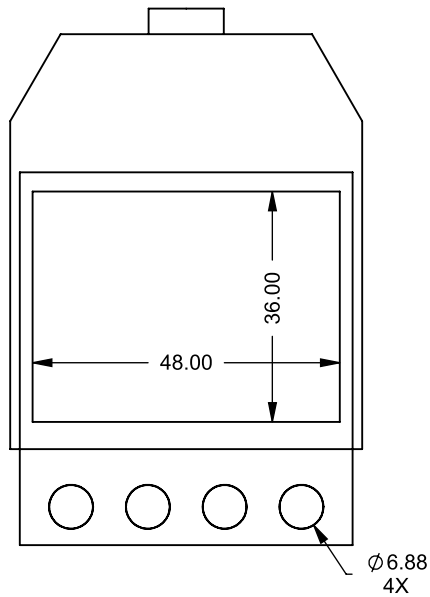
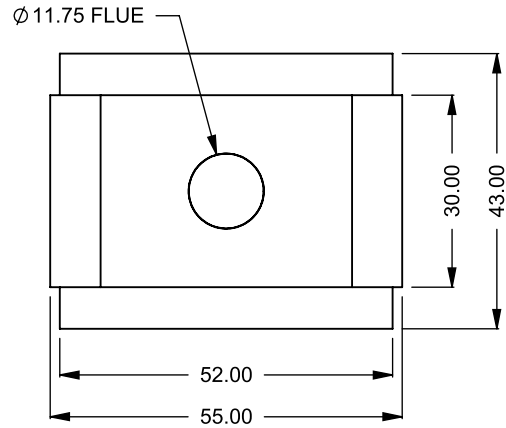
DIMENSIONS ARE IN INCHES  
TOLERANCES: FRACTIONAL  $\pm 1/8"$

### DATE

15/10/2020

**MONTIGO**  
the art of **fireplaces**

[www.montigo.com](http://www.montigo.com)

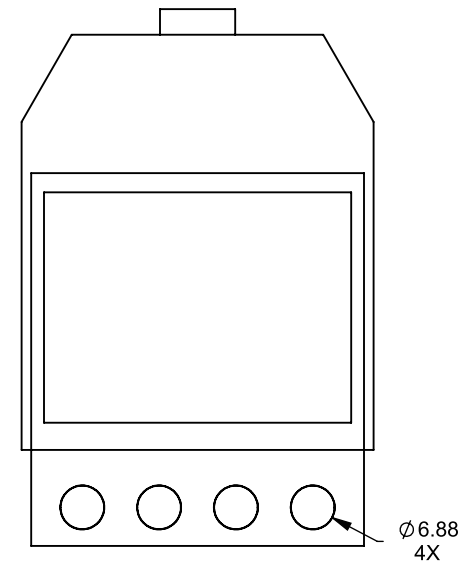
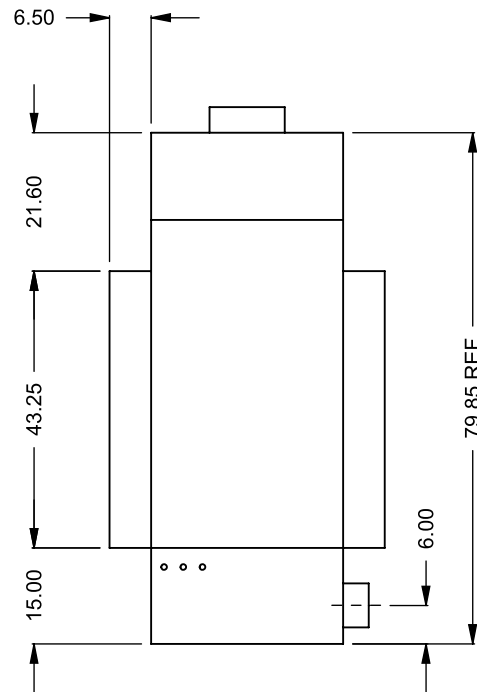
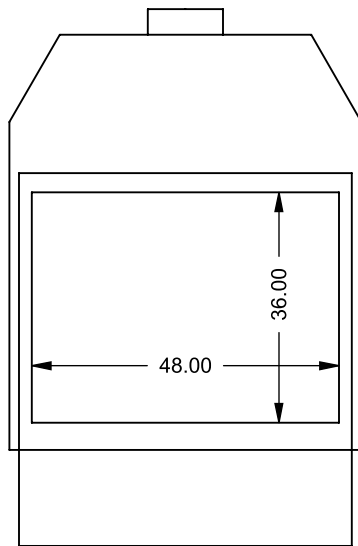
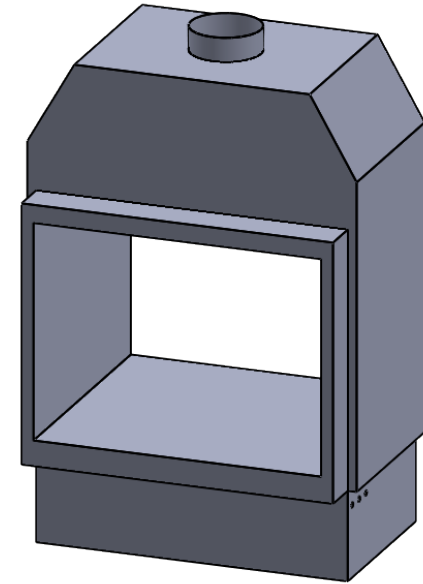
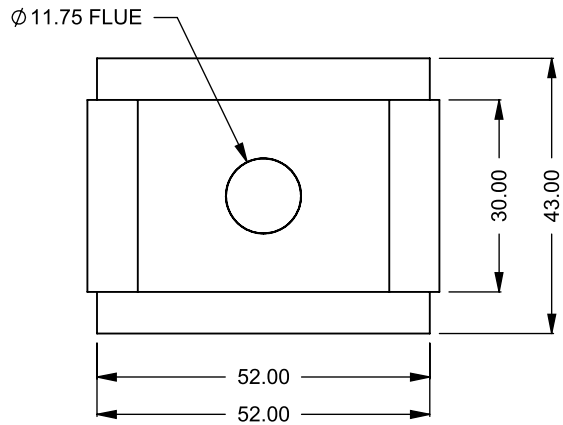


**BF48ST**  
 COOL-Pack / Power COOL-Pack  
**Front Intake**

**PRELIMINARY  
 DRAWING ONLY** 

EXAMPLE CONFIGURATION	UNLESS OTHERWISE SPECIFIED	DATE
MONTIGO COMMERCIAL FIREPLACES ARE CUSTOM BUILT FOR EACH PROJECT. THIS DRAWING IS FOR REFERENCE ONLY.  FLUE AND AIR INTAKE SIZES ARE SUBJECT TO CHANGE DEPENDING ON VENT RUN.	DIMENSIONS ARE IN INCHES TOLERANCES: FRACTIONAL $\pm 1/8"$	15/10/2020

**MONTIGO**  
 the art of **fireplaces**  
 www.montigo.com

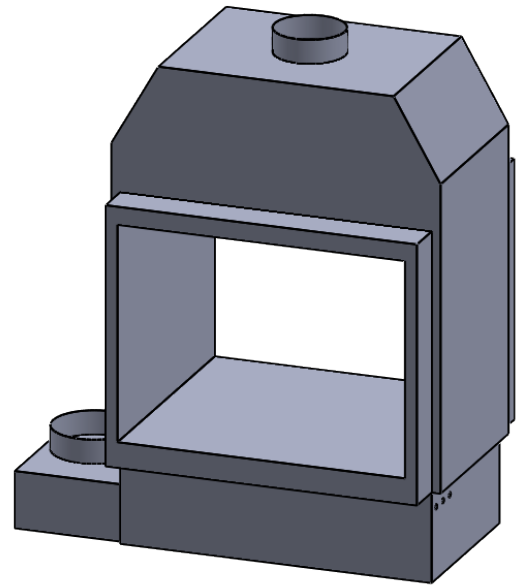
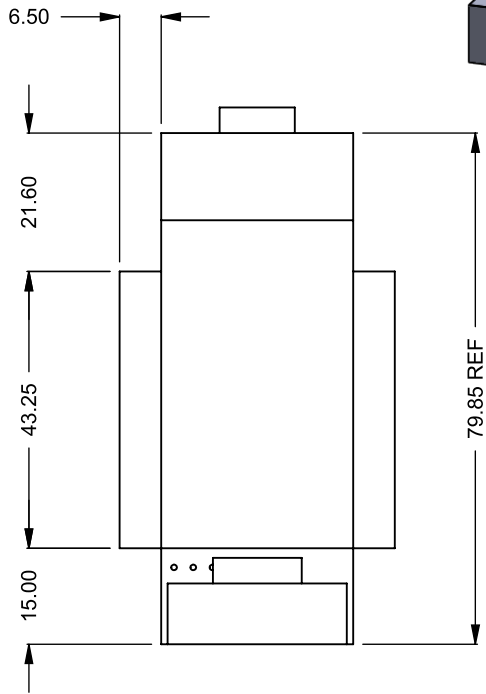
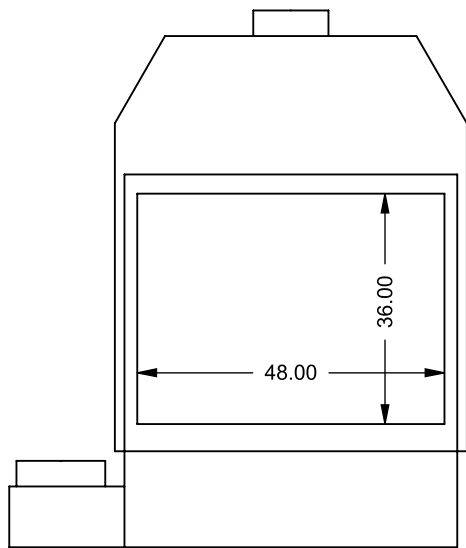
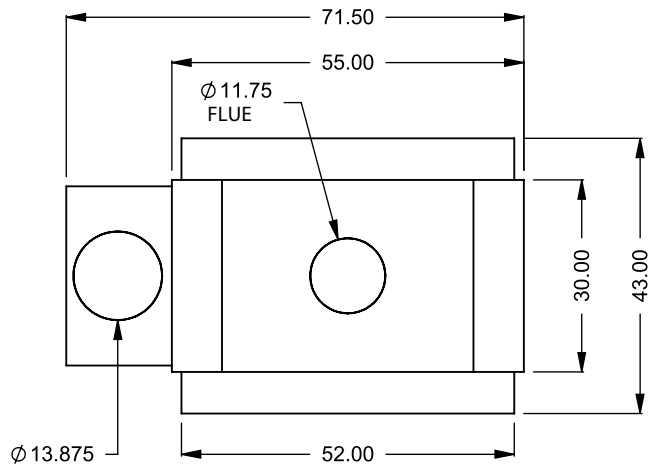


**BF48ST**  
 COOL-Pack / Power COOL-Pack  
**Rear Intake**

**PRELIMINARY  
 DRAWING ONLY** 

EXAMPLE CONFIGURATION	UNLESS OTHERWISE SPECIFIED	DATE
MONTIGO COMMERCIAL FIREPLACES ARE CUSTOM BUILT FOR EACH PROJECT. THIS DRAWING IS FOR REFERENCE ONLY.  FLUE AND AIR INTAKE SIZES ARE SUBJECT TO CHANGE DEPENDING ON VENT RUN.	DIMENSIONS ARE IN INCHES TOLERANCES: FRACTIONAL ± 1/8"	15/10/2020

**MONTIGO**  
 the art of **fireplaces**  
 www.montigo.com

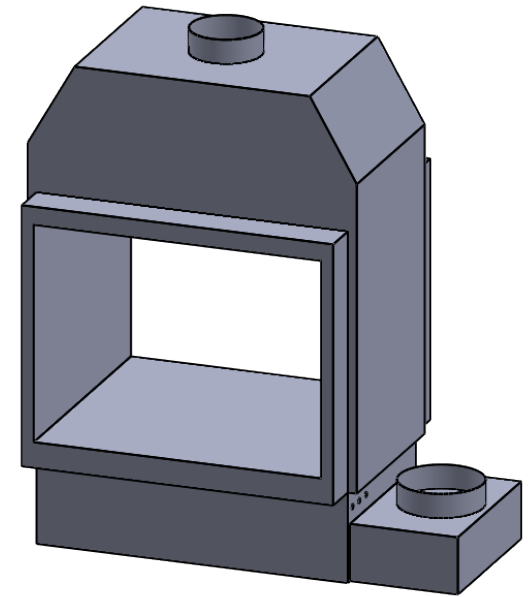
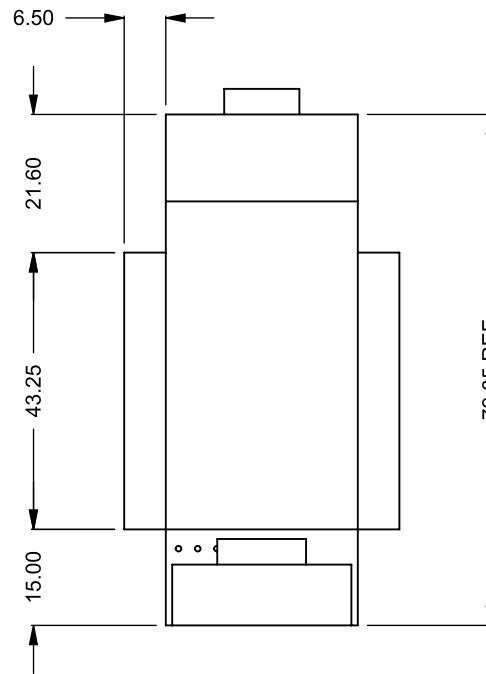
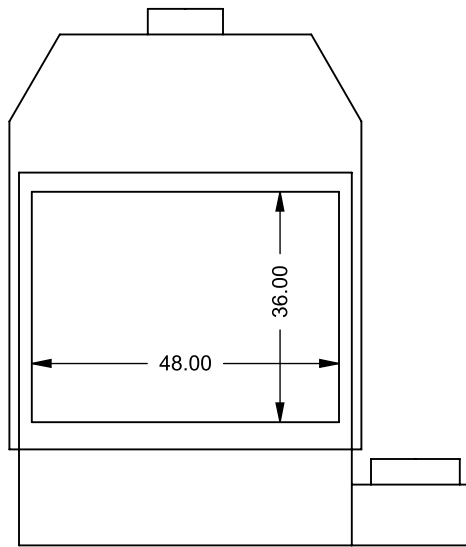
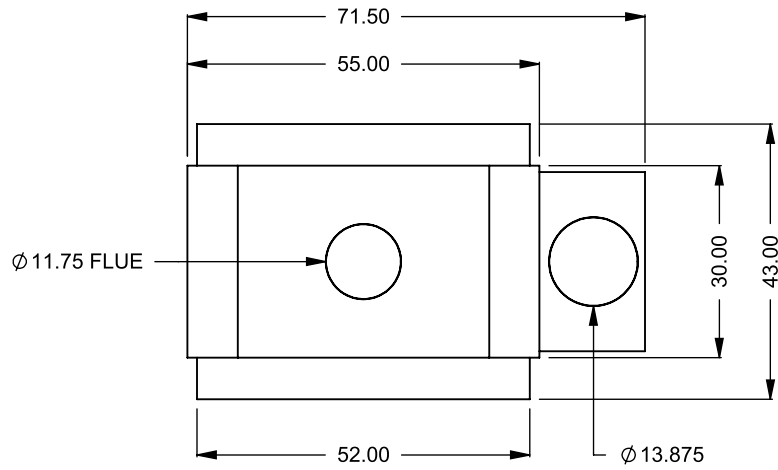


**BF48ST**  
COOL-Pack / Power COOL-Pack  
**One Side Left Intake**

**PRELIMINARY  
DRAWING ONLY**

EXAMPLE CONFIGURATION	UNLESS OTHERWISE SPECIFIED	DATE
MONTIGO COMMERCIAL FIREPLACES ARE CUSTOM BUILT FOR EACH PROJECT. THIS DRAWING IS FOR REFERENCE ONLY.  FLUE AND AIR INTAKE SIZES ARE SUBJECT TO CHANGE DEPENDING ON VENT RUN.	DIMENSIONS ARE IN INCHES TOLERANCES: FRACTIONAL ± 1/8"	15/10/2020

**MONTIGO**  
the art of **fireplaces**  
www.montigo.com



**PRELIMINARY  
DRAWING ONLY** 

**EXAMPLE CONFIGURATION**

MONTIGO COMMERCIAL FIREPLACES ARE CUSTOM BUILT FOR EACH PROJECT. THIS DRAWING IS FOR REFERENCE ONLY.

FLUE AND AIR INTAKE SIZES ARE SUBJECT TO CHANGE DEPENDING ON VENT RUN.

**UNLESS OTHERWISE SPECIFIED**

DIMENSIONS ARE IN INCHES  
TOLERANCES: FRACTIONAL  $\pm 1/8"$

**DATE**

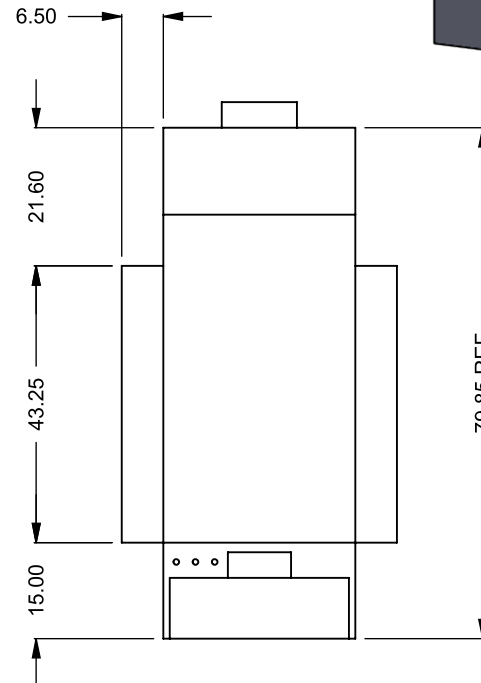
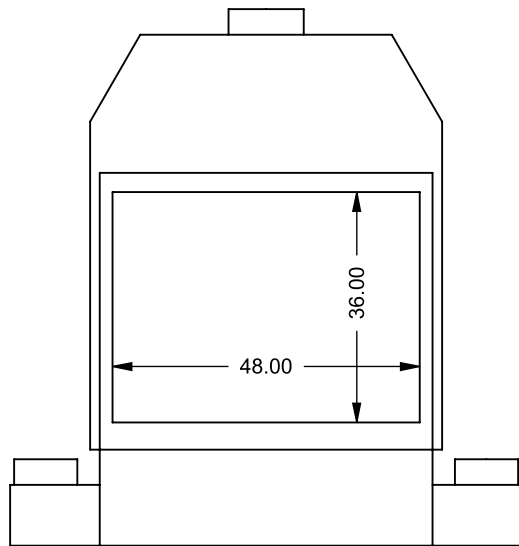
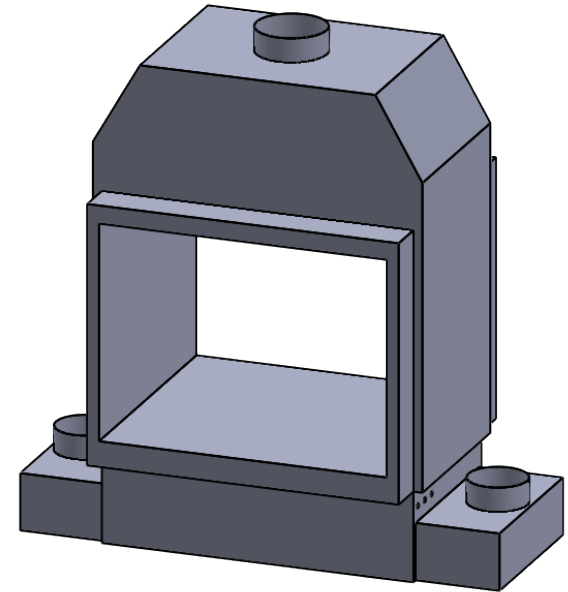
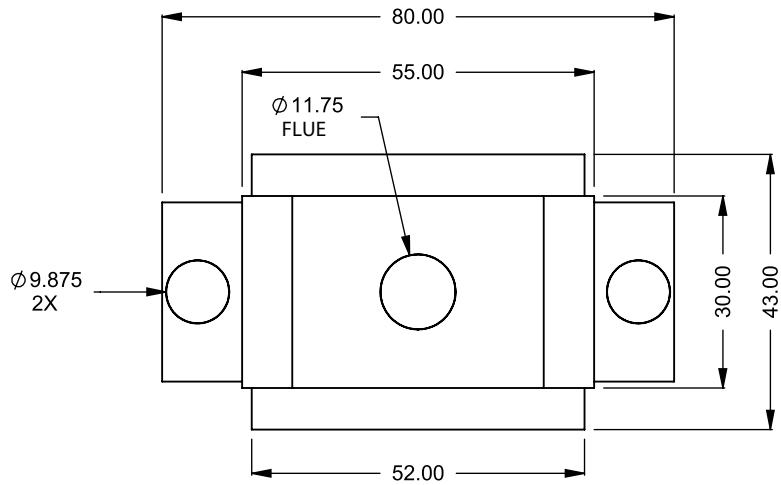
15/10/2020

**BF48ST**

COOL-Pack / Power COOL-Pack  
**One Side Right Intake**

**MONTIGO**  
the art of **fireplaces**

www.montigo.com



**BF48ST**  
COOL-Pack / Power COOL-Pack  
**Dual Side Intake**

**PRELIMINARY  
DRAWING ONLY** 

**EXAMPLE CONFIGURATION**

MONTIGO COMMERCIAL FIREPLACES ARE CUSTOM BUILT FOR EACH PROJECT. THIS DRAWING IS FOR REFERENCE ONLY.

FLUE AND AIR INTAKE SIZES ARE SUBJECT TO CHANGE DEPENDING ON VENT RUN.

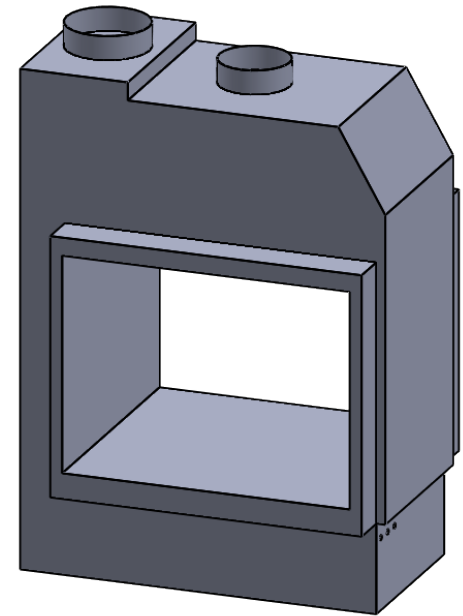
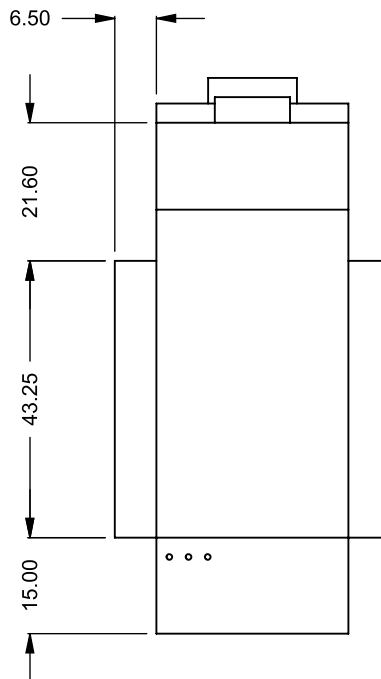
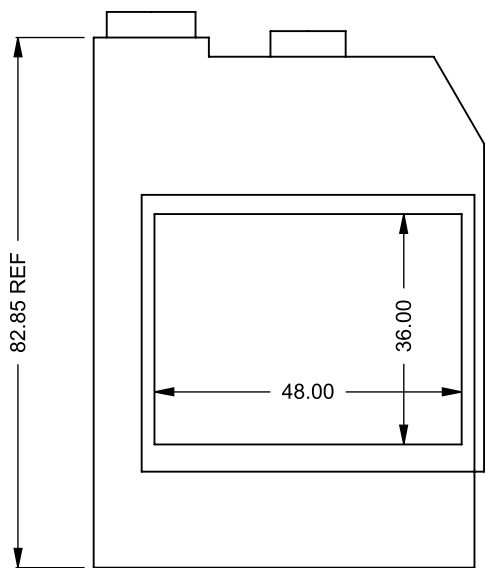
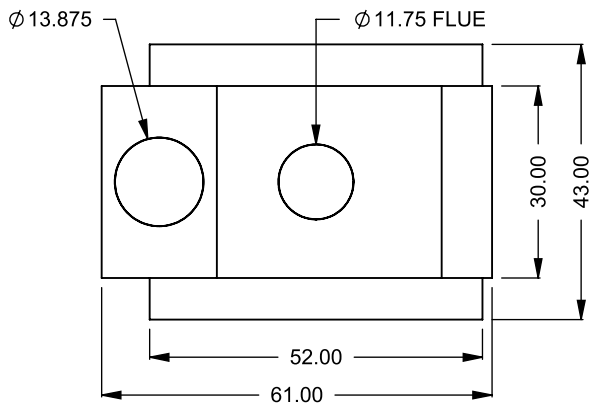
**UNLESS OTHERWISE SPECIFIED**

DIMENSIONS ARE IN INCHES  
TOLERANCES: FRACTIONAL  $\pm 1/8"$

**DATE**

15/10/2020

**MONTIGO**  
the art of **fireplaces**  
www.montigo.com



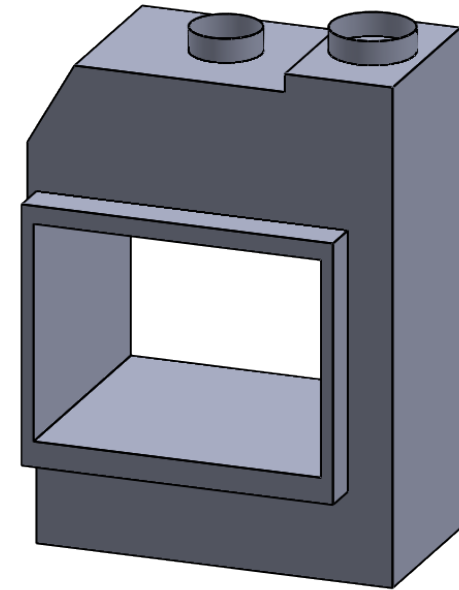
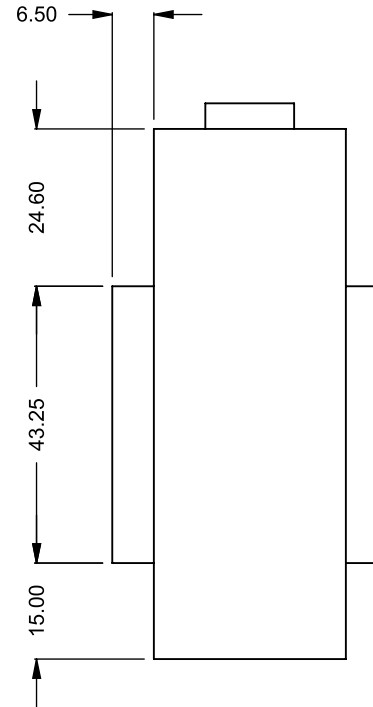
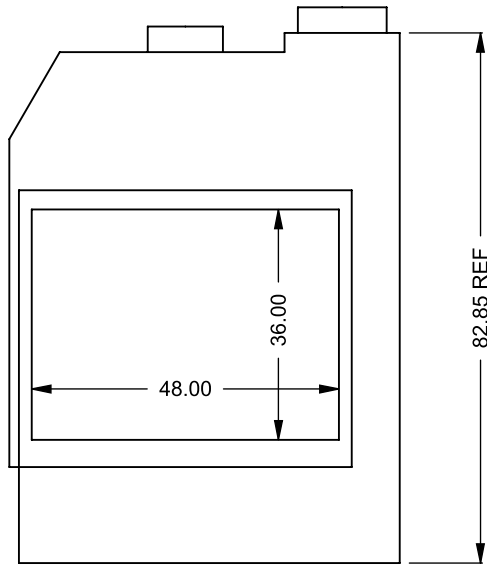
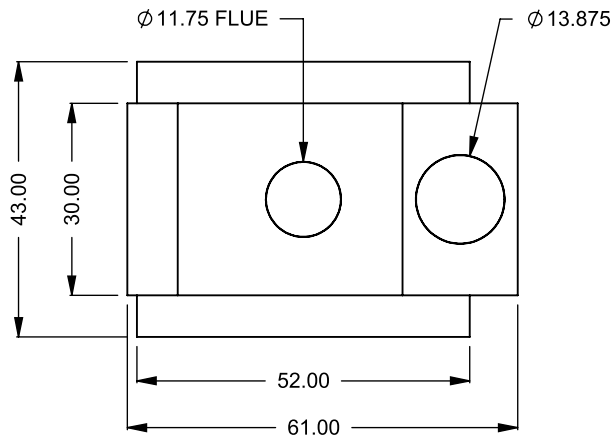
## BF48ST

COOL-Pack / Power COOL-Pack  
**Top One Side Left Intake**

**PRELIMINARY  
 DRAWING ONLY** 

EXAMPLE CONFIGURATION	UNLESS OTHERWISE SPECIFIED	DATE
MONTIGO COMMERCIAL FIREPLACES ARE CUSTOM BUILT FOR EACH PROJECT. THIS DRAWING IS FOR REFERENCE ONLY.  FLUE AND AIR INTAKE SIZES ARE SUBJECT TO CHANGE DEPENDING ON VENT RUN.	DIMENSIONS ARE IN INCHES TOLERANCES: FRACTIONAL $\pm 1/8"$	15/10/2020

**MONTIGO**  
 the art of **fireplaces**  
[www.montigo.com](http://www.montigo.com)



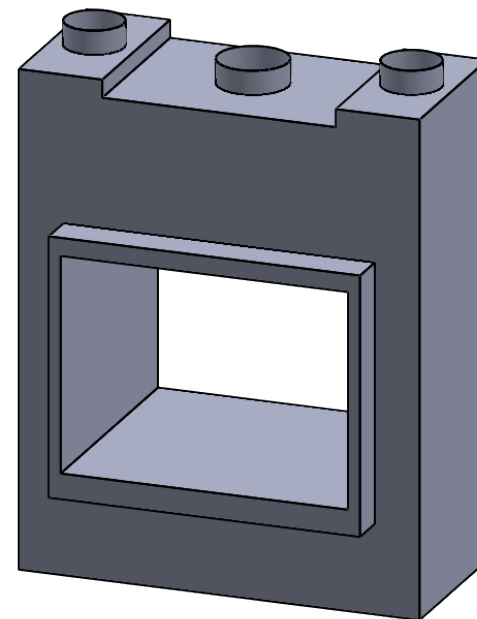
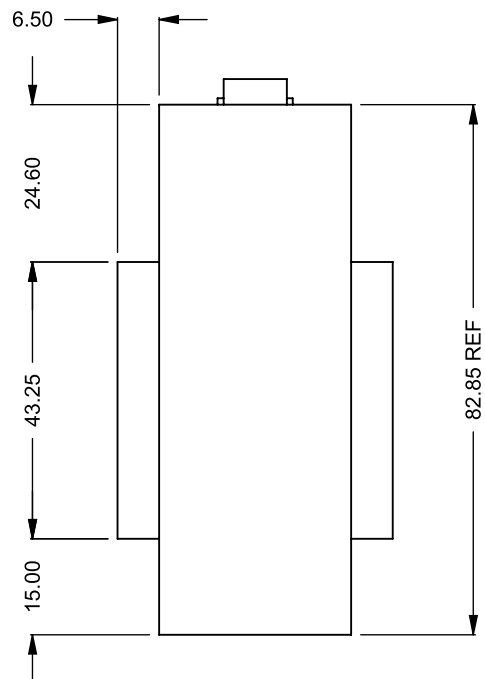
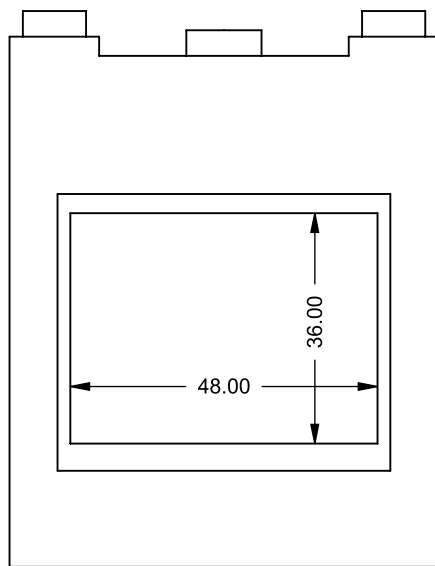
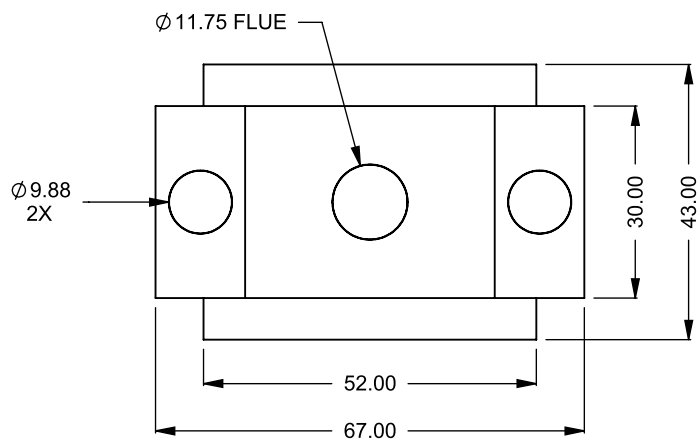
**BF48ST**  
 COOL-Pack / Power COOL-Pack  
**Top One Side Right Intake**

**PRELIMINARY  
 DRAWING ONLY** 

EXAMPLE CONFIGURATION	UNLESS OTHERWISE SPECIFIED	DATE
MONTIGO COMMERCIAL FIREPLACES ARE CUSTOM BUILT FOR EACH PROJECT. THIS DRAWING IS FOR REFERENCE ONLY.  FLUE AND AIR INTAKE SIZES ARE SUBJECT TO CHANGE DEPENDING ON VENT RUN.	DIMENSIONS ARE IN INCHES TOLERANCES: FRACTIONAL $\pm 1/8"$	15/10/2020

**MONTIGO**  
 the art of **fireplaces**  
 www.montigo.com





**BF48ST**  
 COOL-Pack / Power COOL-Pack  
 Top Dual Side Intake

**PRELIMINARY  
 DRAWING ONLY** 

EXAMPLE CONFIGURATION	UNLESS OTHERWISE SPECIFIED	DATE
MONTIGO COMMERCIAL FIREPLACES ARE CUSTOM BUILT FOR EACH PROJECT. THIS DRAWING IS FOR REFERENCE ONLY.  FLUE AND AIR INTAKE SIZES ARE SUBJECT TO CHANGE DEPENDING ON VENT RUN.	DIMENSIONS ARE IN INCHES TOLERANCES: FRACTIONAL $\pm 1/8"$	15/10/2020

**MONTIGO**  
 the art of **fireplaces**  
 www.montigo.com